

Adjustable Stainless Steel-Flat tension levers

SPECIFICATION

Types

- Type **D**: straight lever
- Type **E**: angled lever

Stainless Steel AISI 303
matt shot-blasted

Plane surface with natural coloured,
anodized Aluminium-disc

Ball knobs DIN 319 (see page 538)
Plastic, Duroplast
black, shiny finish

INFORMATION

The overall height of Stainless Steel-tension levers GN 125.5 is reduced to a minimum.

As all other adjustable levers, they are ideal whenever parts have to be clamped in a confined space, or a particular lever position is required. The threaded insert is connected with the hub via serrations which can be disengaged

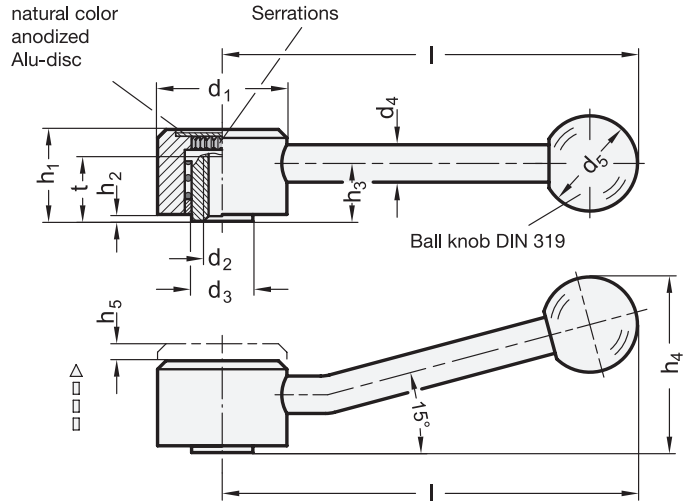
Pulling the lever, disengages the serrations and the lever can be swivelled to the ideal clamping position. On releasing the lever it will automatically re-engage.

ON REQUEST

- with threaded through hole

TECHNICAL INFORMATION

- Stainless Steel characteristics (see page A26)



* Complete with type of the Adjustable Flat tension levers (E or D)

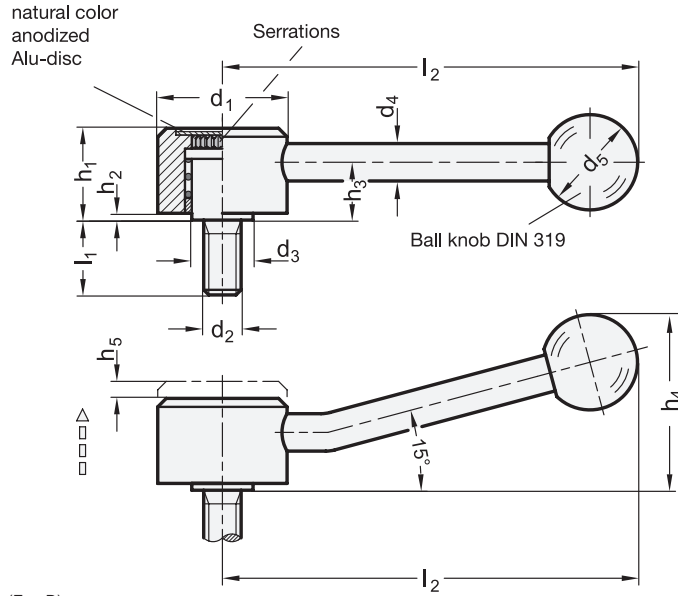
D Straight lever
E Angled lever

GN 125.5-with threaded insert

STAINLESS STEEL

Description	d1	d2	d3	d4	d5	h1	h2	h3	h4 ≈	h5	l	t min.	Δ
GN 125.5-32-M6-*	32	M 6	13.5	8	20	20.5	1.5	12.5	36	4	100	11	160
GN 125.5-32-M8-*	32	M 8	13.5	8	20	20.5	1.5	12.5	36	4	100	11	160
GN 125.5-36-M8-*	36	M 8	16	10	25	24.5	2	15	45	4.5	120	14	233
GN 125.5-36-M10-*	36	M 10	16	10	25	24.5	2	15	45	4.5	120	14	228
GN 125.5-40-M10-*	40	M 10	19	12	30	30	4	19	53	4.5	130	17	370
GN 125.5-40-M12-*	40	M 12	19	12	30	30	4	19	53	4.5	130	17	340
GN 125.5-45-M12-*	45	M 12	23	12	32	35.5	4	24	64	5	145	23	495
GN 125.5-45-M16-*	45	M 16	23	12	32	35.5	4	24	64	5	145	23	440

Weight type E



* Complete with type of the Adjustable Flat tension levers (E or D)

D E
Straight lever Angled lever

GN 125.5-with threaded stud

STAINLESS STEEL

Description	d1	d2	l1	d3	d4	d5	h1	h2	h3	h4 ≈	h5	l2	△
GN 125.5-32-M8-12-*	32	M 8	12	13.5	8	20	20.5	1.5	12.5	36	4	100	155
GN 125.5-32-M8-16-*	32	M 8	16	13.5	8	20	20.5	1.5	12.5	36	4	100	160
GN 125.5-32-M8-20-*	32	M 8	20	13.5	8	20	20.5	1.5	12.5	36	4	100	160
GN 125.5-32-M8-25-*	32	M 8	25	13.5	8	20	20.5	1.5	12.5	36	4	100	159
GN 125.5-32-M8-32-*	32	M 8	32	13.5	8	20	20.5	1.5	12.5	36	4	100	160
GN 125.5-32-M8-40-*	32	M 8	40	13.5	8	20	20.5	1.5	12.5	36	4	100	160
GN 125.5-32-M8-50-*	32	M 8	50	13.5	8	20	20.5	1.5	12.5	36	4	100	180
GN 125.5-36-M10-16-*	36	M 10	16	16	10	25	24.5	2	15	45	4.5	120	240
GN 125.5-36-M10-20-*	36	M 10	20	16	10	25	24.5	2	15	45	4.5	120	250
GN 125.5-36-M10-25-*	36	M 10	25	16	10	25	24.5	2	15	45	4.5	120	253
GN 125.5-36-M10-32-*	36	M 10	32	16	10	25	24.5	2	15	45	4.5	120	250
GN 125.5-36-M10-40-*	36	M 10	40	16	10	25	24.5	2	15	45	4.5	120	260
GN 125.5-36-M10-50-*	36	M 10	50	16	10	25	24.5	2	15	45	4.5	120	260
GN 125.5-36-M10-63-*	36	M 10	63	16	10	25	24.5	2	15	45	4.5	120	282
GN 125.5-36-M10-80-*	36	M 10	80	16	10	25	24.5	2	15	45	4.5	120	260
GN 125.5-40-M12-25-*	40	M 12	25	19	12	30	30	4	19	53	4.5	130	280
GN 125.5-40-M12-32-*	40	M 12	32	19	12	30	30	4	19	53	4.5	130	380
GN 125.5-40-M12-40-*	40	M 12	40	19	12	30	30	4	19	53	4.5	130	380
GN 125.5-40-M12-50-*	40	M 12	50	19	12	30	30	4	19	53	4.5	130	380
GN 125.5-40-M12-63-*	40	M 12	63	19	12	30	30	4	19	53	4.5	130	400
GN 125.5-40-M12-80-*	40	M 12	80	19	12	30	30	4	19	53	4.5	130	407
GN 125.5-45-M16-32-*	45	M 16	32	23	12	32	35.5	4	24	64	5	145	540
GN 125.5-45-M16-40-*	45	M 16	40	23	12	32	35.5	4	24	64	5	145	540
GN 125.5-45-M16-50-*	45	M 16	50	23	12	32	35.5	4	24	64	5	145	683
GN 125.5-45-M16-63-*	45	M 16	63	23	12	32	35.5	4	24	64	5	145	580
GN 125.5-45-M16-80-*	45	M 16	80	23	12	32	35.5	4	24	64	5	145	724

Weight type E



Clamping levers